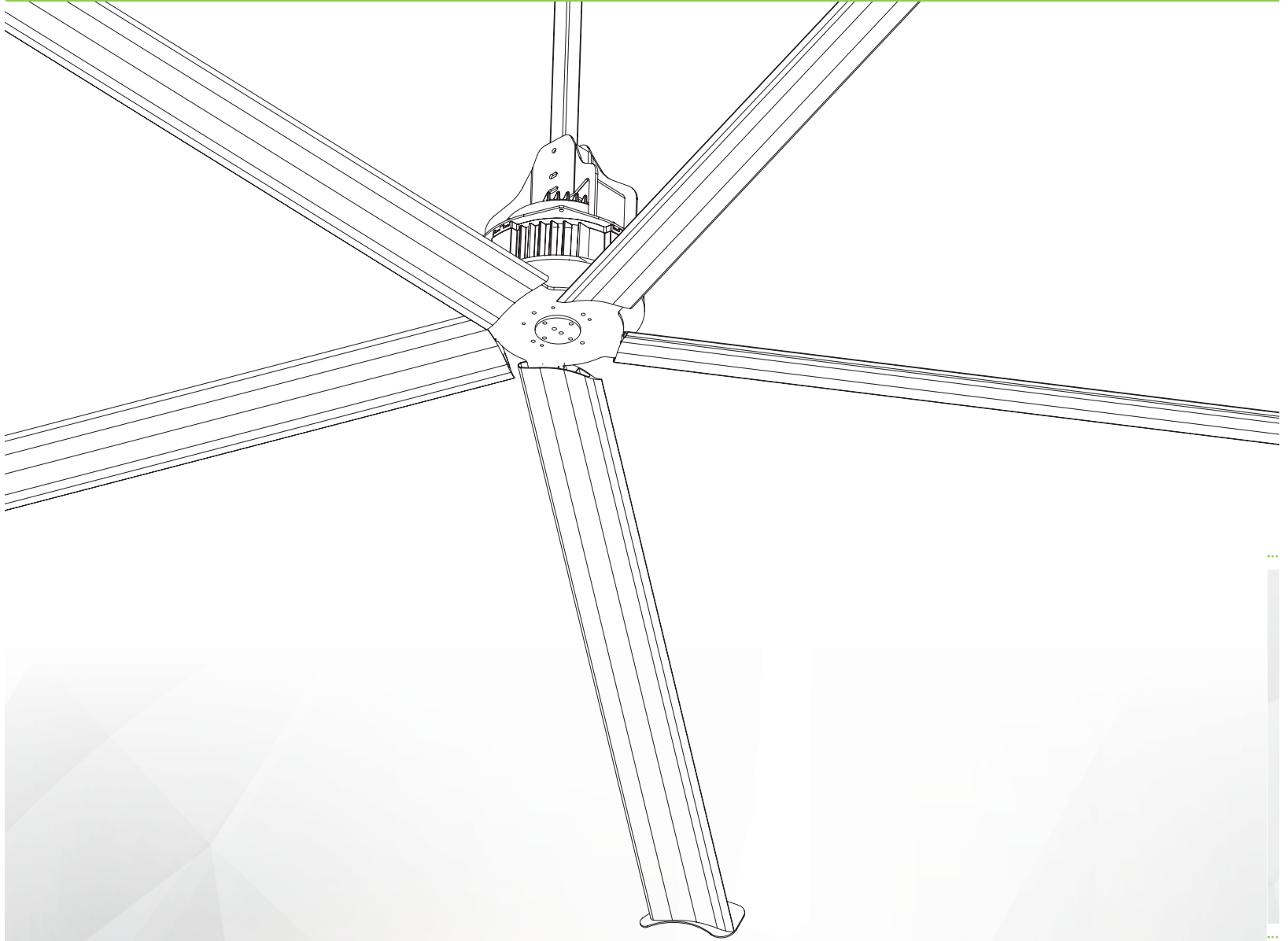


[www.evelsrl.com](http://www.evelsrl.com)

  
**Evel**  
WINDEPENDENCE

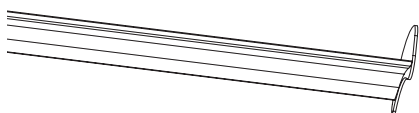






## COMPANY

Evel is a startup, found from a team of expert in ceiling fan (destratificators). In Evel several core competencies are merged to create new systems and products for air treatment in big areas and people wellness.



## MISSION

**Create wellness by freshness and lightness** of air and his movement, without depend from air condition.

# Windependence.

## IDEA

**Evel** is born from the idea to merge, in a long lasting and winning mix, most advanced brushless motor technologies, aerodynamics performances from better airfoil, and "**Made in Italy**" technology and imagination. Company target is to be the **Leader in ceiling fan business** through huge investment in product development and system efficiency.

## VALUES



**TECHNOLOGY:** high efficiency motors able to provide better performances;



**EFFICIENCY:** better aerodynamics, lower consumptions;



**MADE IN ITALY:** capacity to merge performances and aesthetics in a winning relationship.

# TECHNOLOGY

Heart of our ceiling fan is IME motoinverter. IME is an italian company following our same values : Technology, Efficiency and Made in Italy.

Every product equipped with motoinverter IME Inside has quality, technology and 100% Made in Italy.

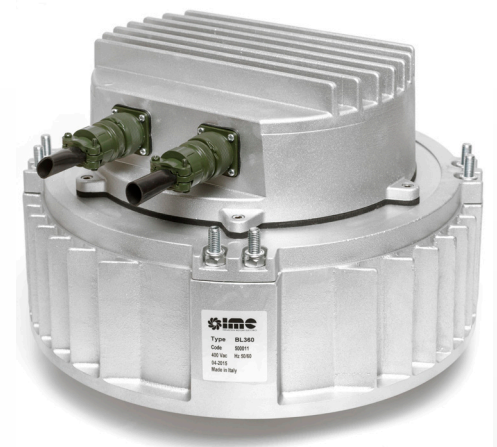


## Who is IME?

I.M.E., Industria Motori Elettrici S.p.A. is an italian company, certified ISO 9001:2008, since forty years leader in electric and electronic motors production.

## Why have we selected Brushless Motoinverter BL360 by IME?

- For his brushless direct drive technology, allowing to our ceiling fan a long lasting life, superior to any other solution;
- Because it allows to monitor and regulate ceiling fan functionality, in a very easy way, through a very user friendly interface;
- For his very low energy consumption (similar to a lamp);
- Because it is really silent in working conditions.



## TECHNICAL DATA SHEET

Synchronous brushless motor with integrated electronic
IP65 protection grade
Power line triphase 400Vac
Maximum power 1kW
Speed rotation from 4rpm a 200rpm
Nominal torque up to 200Nm
S1 service
Thermal insulation class F (155°C)
Operating temperature from -10°C to +50°C
Electronic board integrated in aluminium cover
Communication way : modbus RTU 485 insulated
Analogic input insulated to set speed with signal 0-10V or external pot
Protected from overcurrent, short circuit, overtemperature, overvoltage and undervoltage.
Dedicated software to be regulated through PC.
EMI/EMC filter integrated in electronic board.
External Led with external signal for problem identification.
Power connection and control connection connected with motoinverter through fast connectors IP67, allowing easy product installation.

# SERVICES

We support our customers with our knowledge – furthermore we use University and best research center – using our technical solutions to create very high quality ceiling fan with very low energy consumption. We offer to the market following services : design, production, assembly on site and

after sales service. In order to have better air flow in a closed environment it's not enough to buy a ceiling fan, but our customer need to know better air foil, right blade dimension, ideal fan number, better positioning in the environment.

## Our team is able to support our customer from design to after sales:

### Project



We study existing layout in order to suggest to our customer **better solution related** to where and which ceiling fan use for specific environment. Indeed, every area has specific conditions and dimension so require a specific ceiling fan. We are able to suggest better fan for every specific environment.

### Production



We are producing ceiling fan. Product is **Made in Italy**, from material used since assembly. In our fan we use last **generation direct drive brushless motor inverter**. Our impeller, coming from fluidodynamics studies and deeper laboratories test, are made with our own tools.

### On site assembly



We offer on site assembly service, made using better skilled company carefully selected by our **technical staff**. All assembly steps are very important and we care everything is made in safety way and with top quality.

### After sales

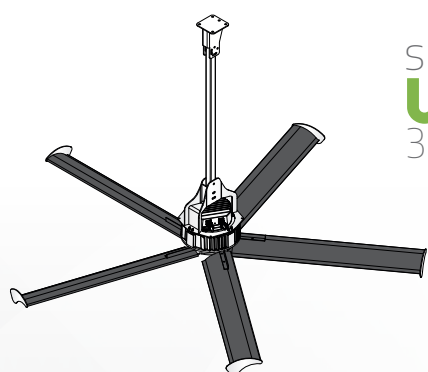


Our team continue to follow our customer also after sales of every Evel ceiling fan, in order to warranty **any needs also after fan installation**. Every problem may occur, will find immediate solution with our team.

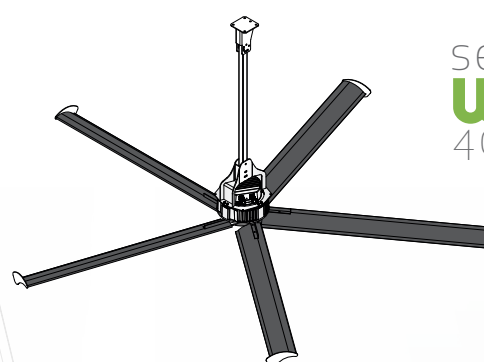
# PRODUCTS

Our product range is wide enough to cover any needs; through our design service, we offer custom made solution for our customers.

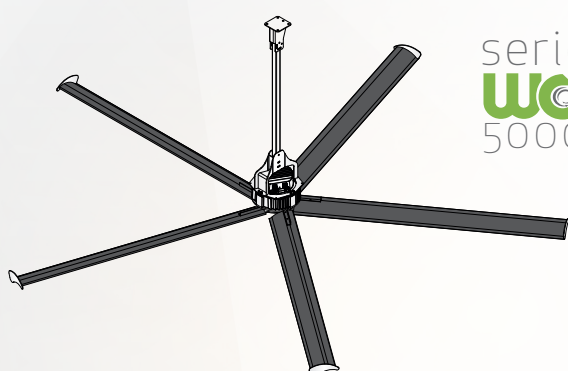
Our Ceiling fan can change because of diameter, air foil, surface treatment and blades colour, direct drive brushless motoinverter and control system.



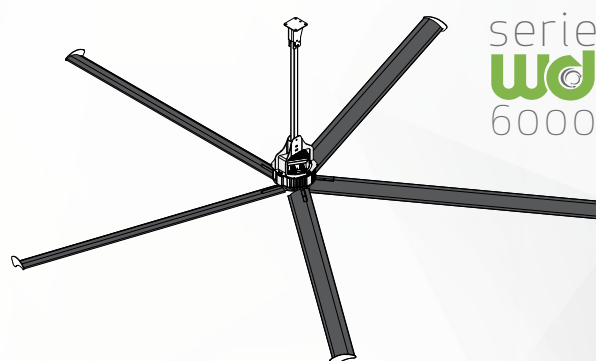
serie  
**wd**  
3000



serie  
**wd**  
4000



serie  
**wd**  
5000



serie  
**wd**  
6000



# AREAS OF APPLICATION

Industrial ventilation, distribution center, mall, domestic areas, sport areas, dairy farms. Evel ceiling fan could be use in a lot of different areas and applications.



INDUSTRY



LOGISTIC



CONTRACT



RESIDENTIAL



SPORTS CENTER



ZOOTECHNICS



[www.evelsrl.com](http://www.evelsrl.com)

**Evel Srl**

Via Luigi Albertini 36 - Edificio D5  
I-60131 Ancona (Italy)  
Tel. +39 071 2865015  
[info@evelsrl.it](mailto:info@evelsrl.it)

