


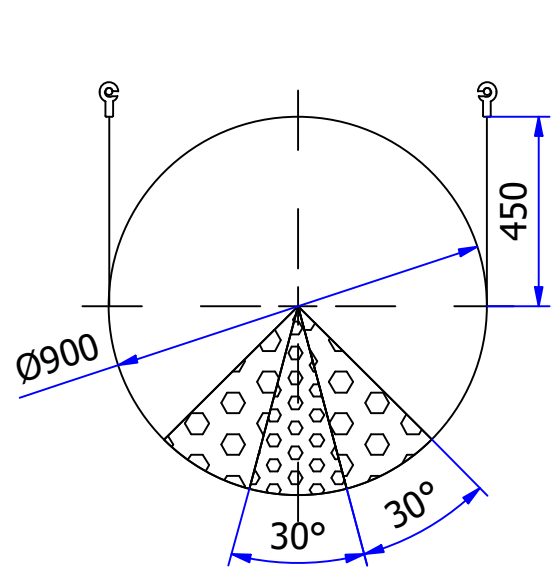
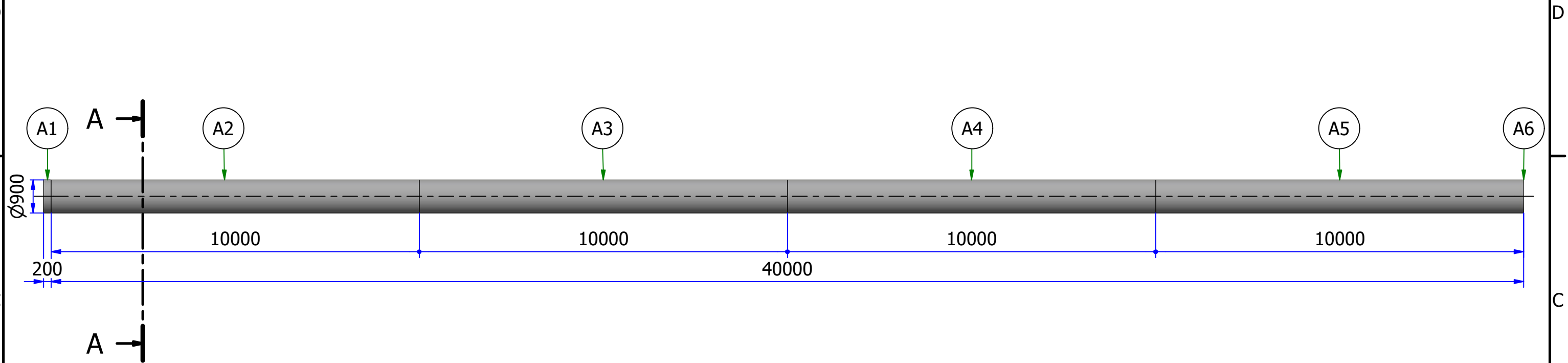
Perforated air duct
 A, B, C, D - 4 pcs.
 D=900, L=40000
 17000 mc/h

Ducts C, D

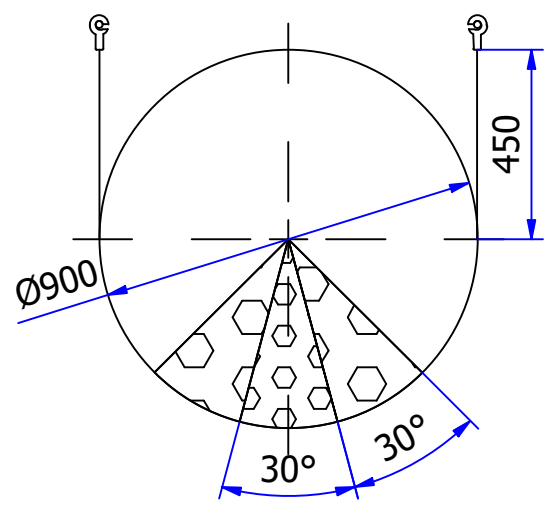
Ducts A, B

Drawn by Nikonov	Controlled by	Date	Date 21.06.2023
		Host Green	
		000504	Sheet 1 / 3

Air ducts A, B, C, D - 4 pcs. Type of ventilation - Supply. Air flow rate - 17 000 mc/h. Air velocity - 7,4 m/s. Total pressure - 497,35 Pa.
 Material - Tex-Sti (TexAir Standart Impermeable) - 100% air impermeable polyester. Attachment method - on two cables. Color - light grey. Duct length - 40 000 mm.




Ducts A, B:
 Perforation $\text{Ø}6$ mm - 30°
 Perforation $\text{Ø}8$ mm - $30^\circ+30^\circ$

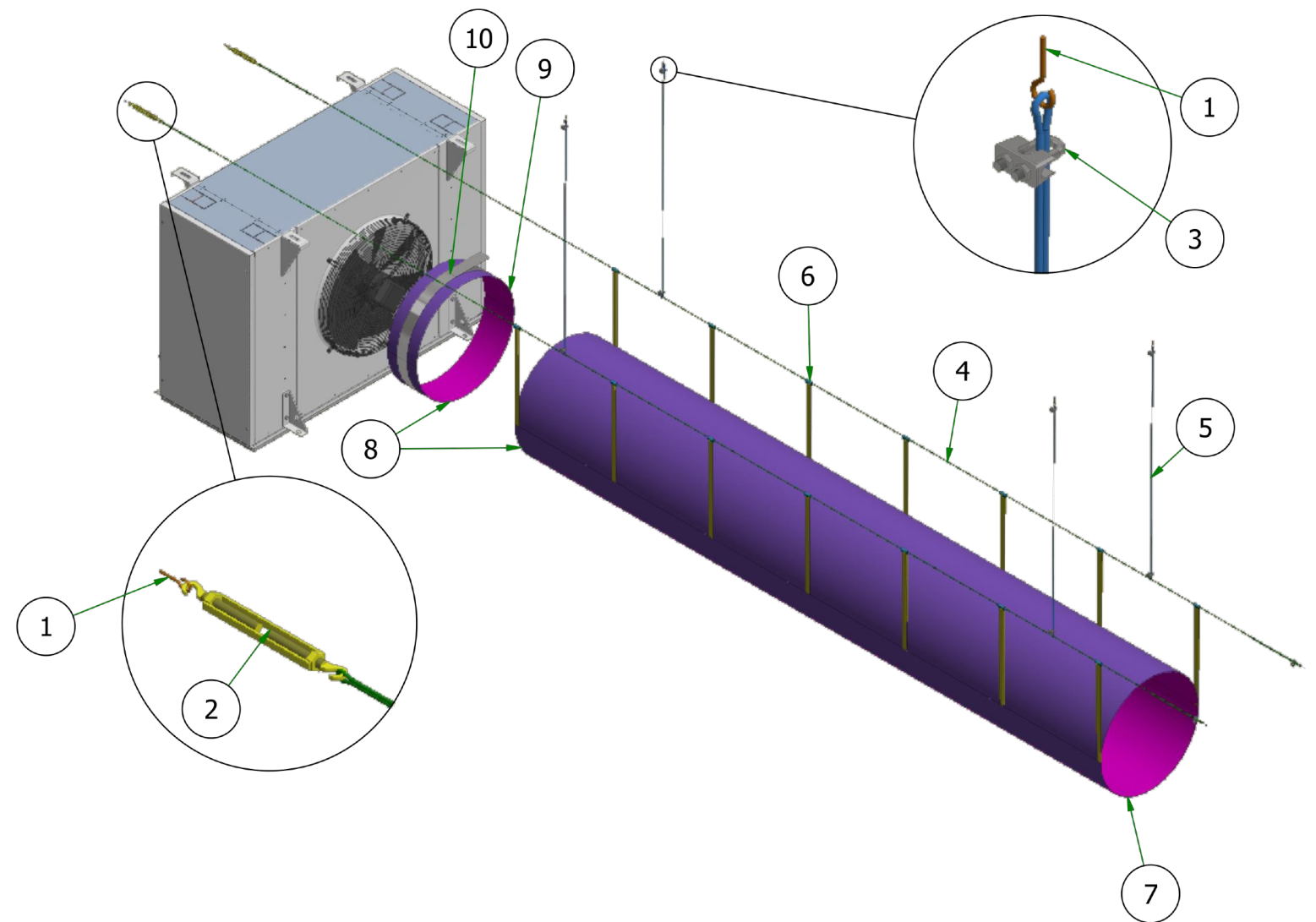


Ducts C, D
 Perforation $\text{Ø}8$ mm - 30°
 Perforation $\text{Ø}10$ mm - $30^\circ+30^\circ$

Pos.	Description	Pcs
A1	Plenum connection	1
A2-A5	Perforated air duct	1
A6	Endcap	1

Drawn by Nikonov	Controlled by	Date	Date 21.06.2023
		Host Green	
		000504	Sheet 2 / 3

To facilitate assembly of the duct at the connection points zipper on the elements there are tags with serial number:
 SN: 123456A7b, where
 123456 - project code (numbers);
 A - position of the duct (letters from A to Z);
 7 - element position (numbers from 1 to 20);
 b - used in air ducts to determine the position beginning and end of the duct (b - beginning, e - end). Start and the end of the element are determined in the direction of air movement.




Installation of textile air ducts on two cables

1. Install the hooks (1) into the wall.
2. Proceed with the steel cable mounting (4). Cable lock (3) is designed for end loops and clutching the cable with the turnbuckle (2), which will be used to balance the tension of the steel cable (4). Turnbuckle, in turn, connects to the wall hook (1).
3. After installing the steel cable, proceed to the installation of vertical ties (5), which provide the steel cable in a strictly horizontal position. For supply air ducts, they are installed with a center distance of 5 meters from each other.
4. Slide the connecting piece of the textile air duct (9) onto the outlet adapter of the unit and secure it with a clamp tape (10).
5. Then fasten the connection (9) with a zipper (8) to the air duct (7) and suspend the air duct to the steel cable (4) using special holders (6).
6. Repeat the installation steps in item 5 until the installation of the entire duct is complete.

After completing the installation, before starting the system, check:

1. Integrity and stability of wall hooks (1), which are mounted in the walls and on the ceiling.
2. Tensioning the steel cable (4).
3. Check the fastening of the clamp tape (10) for the connection of the air duct (9) to the outlet adapter of the unit.
4. Closing all zippers that connect the duct elements.
5. Before airing the system, it is imperative to ensure that the duct is fully extended to its full design length to avoid pneumatic shock and rupture of the duct.

Drawn by Nikonov	Controlled by	Date	Date 21.06.2023	
		Host Green		
		000504		Sheet 3 / 3